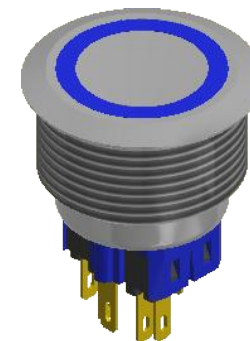
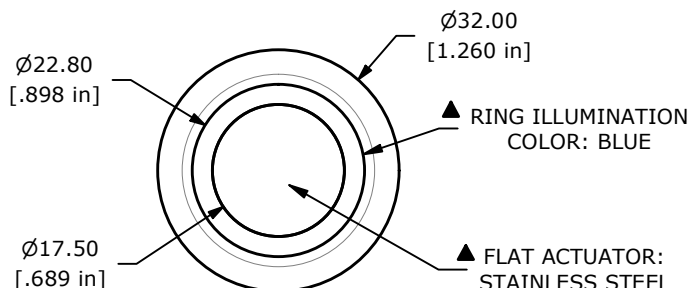
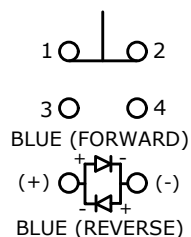


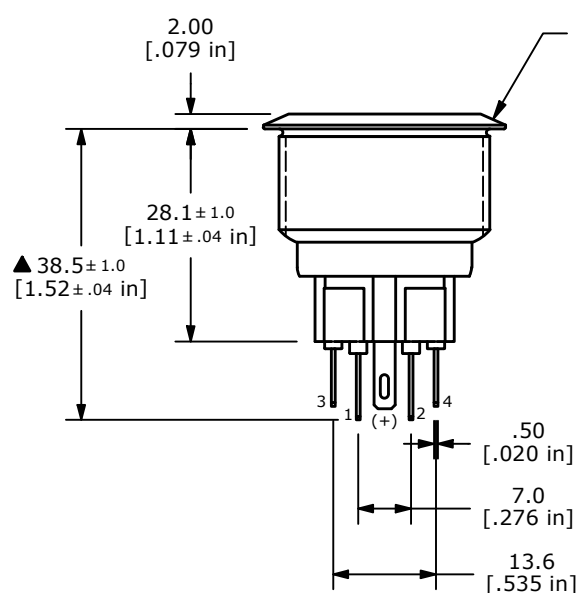
PANEL CUTOUT
MAX. PANEL THICKNESS 10mm



SWITCH FUNCTION	
POS. 1	POS. 2
1-2 ON	1-2 (OFF)
3-4 OFF	3-4 (ON)

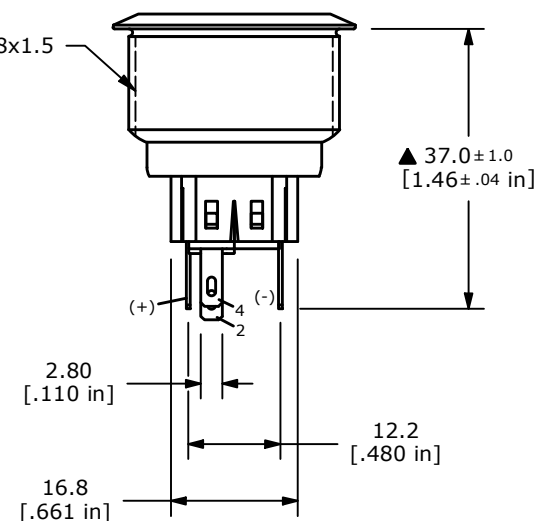


CONTACT CONFIGURATION
▲ SPDT ON-(OFF) / OFF-(ON)
() DENOTES MOMENTARY FUNCTION

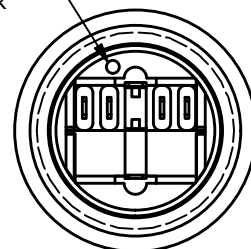


▲ BODY: STAINLESS STEEL

▲ M28x1.5



DOT DENOTES LED COLOR



NOTE:

- ALL DIMENSIONS IN MM [INCH]
- GENERAL TOLERANCE: X.X = ± 0.4
X.XX = ± 0.25
- TERMINAL NUMBERS FOR REF. ONLY
- RATING: 2A @ 48VDC
- CONTACT RESISTANCE: 50mΩ MAX. @ 1A 12VDC
- INSULATION RESISTANCE: 1,000MΩ @ 500VDC
- DIELECTRIC STRENGTH: 2,000VAC MIN. FOR 1 MINUTE
- ELECTRICAL LIFE: 50,000 CYCLES
- OPERATING TEMPERATURE: -20°C to 55°C
- INGRESS PROTECTION: IP66
- SUPPLIED HARDWARE: O-RING AND HEXNUT
- ▲ DENOTES CRITICAL PARAMETER
- ILLUMINATION COLOR: BLUE
- ILLUMINATION VOLTAGE: BASE VOLTAGE 2.8V

C	24648	UPDATE THREAD LENGTH TO 15.0	12/18/20	JM
B	23840	UPDATED RATING TO IP66	4/8/19	MJR
A	23317	NEW RELEASE	4/17/18	MJR
REV	PCR NO	DESCRIPTION	DATE	BY



TITLE PV9F2Y0SS-341				
SCALE 1:1	DATE 4/17/2018	DR MJR	DWG 52-PV9F2Y0SS341	REV C